



Specifications

Switch Function	SPST, SPDT
Electrical Ratings	1A @ 250VAC, General Purpose 3A @ 120VAC, General Purpose see Contact Options
Electrical Life	55,000 cycles typical
Contact Resistance	≤ 50mΩ initial

Dielectric Strength	1000Vrms min
Insulation Resistance	≥ 100MΩ min
Operating Temperature	-40°C to 85°C
Storage Temperature	-40°C to 85°C
Packaging	500 pieces per reel
Sealing Degree	IP67 : Protection against harmful dust deposits and temporary immersion: Sealed against a typical soldering and cleaning process contamination.

Materials

Actuator	Thermoplastic Polyester, UL94V-0
Housing	6/6 Nylon, Glass Filled Flame Retardent Heat Stabilized, UL94V-0
Bracket	Brass, Tin Plated
Contacts	Copper Alloy, Silver or Gold Plated
Terminals	Brass, Silver or Gold Plated

Ordering Information

1. Series	SSP	1	T	R	R
SSP					
2. Number of Poles	1 = SPST, OFF - (ON) 2 = SPDT, ON - (ON)				
3. Actuator / Bushing	T = 5.6mm Actuator, Non-Threaded F = Flush Actuator, Non-Threaded				
4. Terminals	R = Standard SMT K = Straight SMT				
5. Contacts	Q = Silver Plated R = Gold Plated G = Gold over Silver Plated				
6. Cap Options	Cap Colors : See cap options for color availability C84_ C85_ C86_				

SSP

Sealed SMT Pushbutton

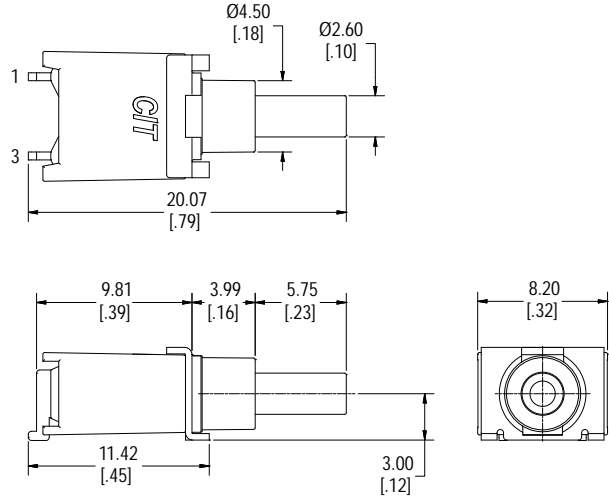
Switch Function



SPST



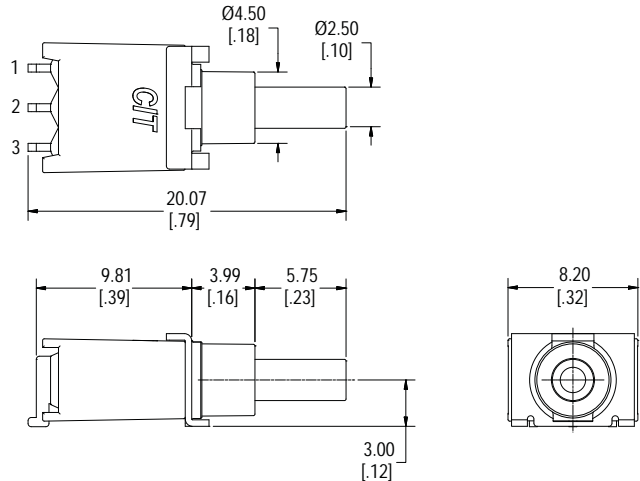
Function	Pushbutton Position	
0	OFF	(ON)
Terminals	--	1-3



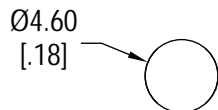
SPDT



Function	Pushbutton Position	
1	ON	(ON)
Terminals	2-1	2-3



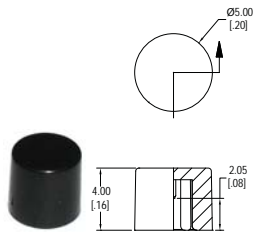
Panel Cut-Out



Contact Options

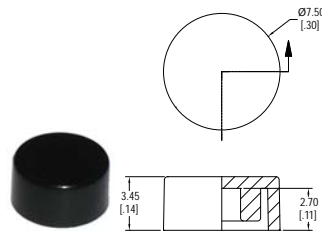
Designator	Contact Material	Terminal Material	Electrical Ratings
Q	Silver Plating	Silver Plating	1A @ 250VAC; 3A @ 120VAC general purpose
R	Gold over Nickel Plating	Gold over Nickel Plating	.4VA max @ 20VAC or VAC max
G	Gold over Silver Plating	Gold over Silver Plating	.4VA max @ 20VAC or VAC max or 1A @ 250VAC; 3A @ 120VAC general purpose

Cap Options



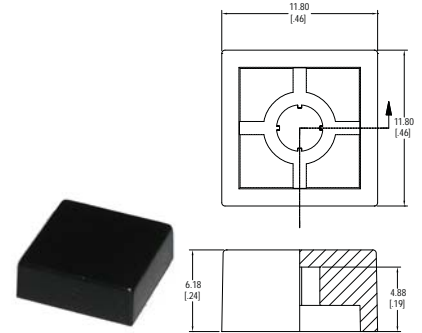
C84

1 = White, 2 = Black, 3 = Red
Contact Factory for other available colors



C85

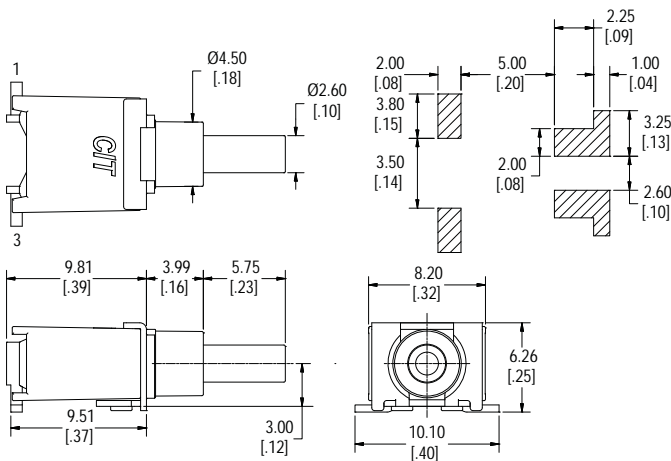
1 = White, 2 = Black, 3 = Red
Contact Factory for other available colors



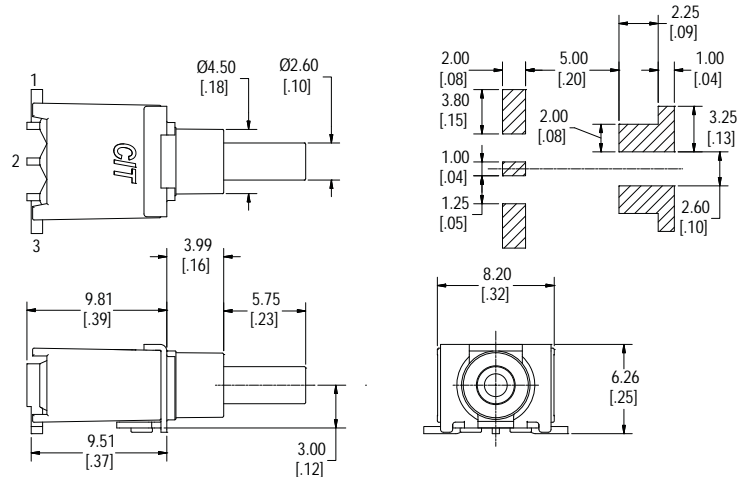
C86

1 = White, 2 = Black, 3 = Red
Contact Factory for other available colors

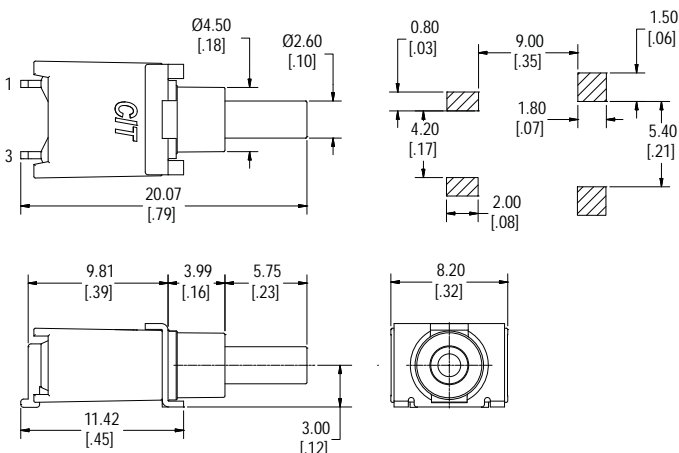
Terminal Options & PC Layouts



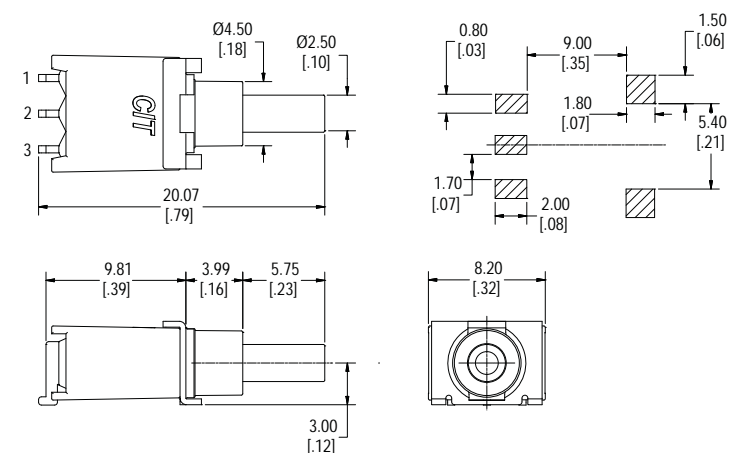
SPST R Terminal



SPDT R Terminal



SPST K Terminal



SPDT K Terminal